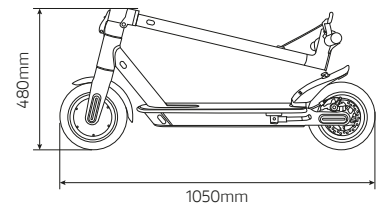
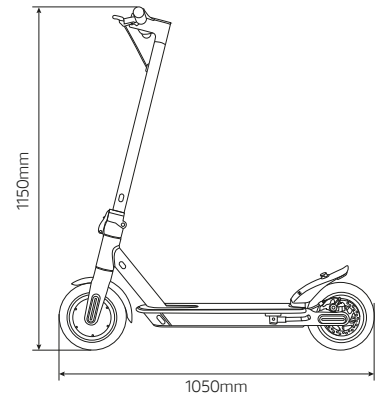




Urban
e-Mobility

PRO-I^{EVO}
electric scooter



Download the app Ducati Urban e-Mobility for a better use of the product



8.5" tyres with air chamber



Integrated color LED display



Rear disc brake

Technical specifications

Product Sku: DU-MO-210001
Ean Code: 8052870486370

Basic info	
Frame material	Aluminum alloy
Speed	L1: 6km/h L2: 20km/h L3: 25km/h (max speed)*
Maximum gradient	20%
Brakes	dual brake: front e-brake and rear disc brake, with KERS
Motor power	350W, Peak power 500W
Tyres	8.5" front and rear tyres with air chamber
Low voltage protection	31V +/- 0.5V
Current limit	15A
Motor type	brushless
Max load	100kg
Riding requirements	Consult the laws and regulations currently in force in your country**.
Working Temperature	-10°C / 40°C
Level of protection	IP54
Charging time	about 4 hours
Range	up to 25km (subject to be variable by rider's weight, road conditions, temperature etc.)

Electric system	
Motor	350W Brushless, Peak power 500W
Brake	front electronic brake
Display	Integrated color LED display
Battery	36V, 7.8Ah, 280Wh
Lights	Font and rear LED lights
Charger	EU Standard DC 2.1 Charger, 42V 1.5A
Bluetooth	connection through user App

Dimensions and Weights	
Net weight	12Kg
Gross weight	14.5Kg
Unit size	1050 x 440 x 1150mm
Folding size	1050 x 440 x 480mm
Carton size	1120 x 160 x 520mm

*In Switzerland, under the current legislation the allowed speed levels are 6-15-20km/h. **In Italy this subject is currently disciplined by the law L 27/12/2019 N.160